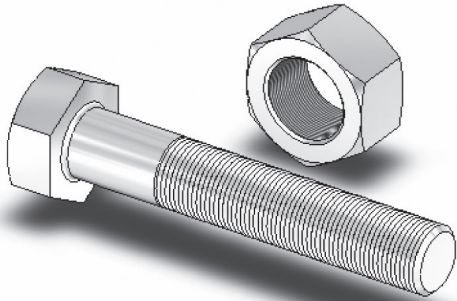


# Hex Bolts and Nuts for Flanges to B16.1-125#, B16.5-150#

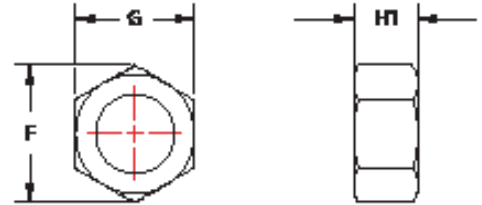
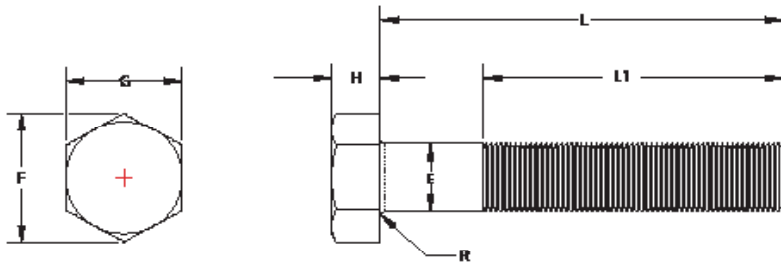
Material: Bolts - ASTM A307 Grade B, Nuts -ASTM A563, Grade A



Nominal Size	Part No.	E Body Diameter	G Width Across Flats	F Max. Width Across Corners	H Bolt Head Height	HI Nut Height	R Radius of Fillet	L <sub>1</sub> Thread Length	L Shaft Length
1/2 x 2	BN7025-050-200*	0.515	3/4	0.866	11/32	7/16	0.01-0.03	1.25	2.00
5/8 x 2-1/2	BN7025-062-250*	0.642	15/16	1.083	27/64	35/64	0.02-0.06	1.50	2.50
5/8 x 3	BN7025-062-300*	0.642	15/16	1.083	27/64	35/64	0.02-0.06	1.50	3.00
3/4 x 3-1/2	BN7025-075-350*	0.768	1-1/8	1.299	1/2	41/64	0.02-0.06	1.75	3.50
3/4 x 4-1/2	BN7025-075-450*	0.768	1-1/8	1.299	1/2	41/64	0.02-0.06	1.75	4.50
7/8 x 4	BN7025-082-400*	0.895	1-5/16	1.516	37/64	3/4	0.02-0.06	2.00	4.00
7/8 x 4-1/2	BN7025-082-450*	0.895	1-5/16	1.516	37/64	3/4	0.02-0.06	2.00	4.50
1 x 4-1/2	BN7025-100-450*	1.022	1-1/2	1.732	43/64	55/64	0.03-0.09	2.25	4.50
1-1/8 x 5	BN7025-112-500*	1.149	1-11/16	1.949	3/4	31/32	0.03-0.09	2.50	5.00
1-1/8 x 5-1/2	BN7025-112-550*	1.149	1-11/16	1.949	3/4	1-1/16	0.03-0.09	2.50	5.50
1-1/4 x 6-1/2	BN7025-125-650*	1.277	1-7/8	2.165	27/32	1-9/32	0.03-0.09	2.75	6.50
1-1/2 x 7	BN7025-150-700*	1.531	2-1/4	2.598	1	1-9/32	0.03-0.09	3.25	7.00
1-1/2 x 7-1/2	BN7025-150-750*	1.531	2-1/4	2.598	1	1-9/32	0.03-0.09	3.25	7.50
1-1/2 x 8	BN7025-150-800*	1.531	2-1/4	2.598	1	1-9/32	0.03-0.09	3.25	8.00

\* Diameters 1-1/8" and larger are UNC8

\*Add suffix "Z" for Zinc Plated Carbon Steel or "G" for Hot Dipped Galvanized Carbon Steel



- Hex head steel bolts to ANSI B18.2.1 with hex steel nuts to ANSI B18.2.2. Bolts to be threaded to ANSI B1.1 unified inch screw threads, Class 2A external & Class 2B internal. The steel material to conform to ASTM A307 specification for carbon steel externally threaded standard fasteners, Grade B.
- Zinc Plated per ASTM B633



## Packaged Bolt & Nut Packs (water resistant)

Part No.	Class 125/150 Flange Size	Bolt Diameter and Length	No. of Bolts per Poly Bag	Master Box (Qty. of Sets)
FBZ015	1	1/2" x 2"	4	64
	1-1/4			
FBZ03	2	5/8" x 2-1/2"	4	20
	3			
FBZ04	4	5/8" x 3"	8	16
	5			
FBZ08	6	3/4" x 3-1/2"	8	8
	8			
FBZ12	10	7/8" x 4"	12	4
	12			
FBZ14	14	1" x 4-1/2"	12	No. of Bolts per Box: 12, No. of Boxes for one flange: 1
FBZ16	16	1" x 4-1/2"	16	No. of Bolts per Box: 16, No. of Boxes for one flange: 1
FBZ18	18	1-1/8" x 5"	16	No. of Bolts per Box: 16, No. of Boxes for one flange: 1
FBZ20	20	1-1/8" x 5"	20	No. of Bolts per Box: 20, No. of Boxes for one flange: 1
FBZ24	24	1-1/4" x 5-1/2"	20	No. of Bolts per Box: 20, No. of Boxes for one flange: 1
FBZ30	30	1-1/4" x 6-1/2"	14	No. of Bolts per Box: 14, No. of Boxes for one flange: 2 boxes
FBZ36	36	1-1/2" x 7"	8	No. of Bolts per Box: 8, No. of Boxes for one flange: 4 boxes
FBZ42	42	1-1/2" x 7-1/2"	9	No. of Bolts per Box: 9, No. of Boxes for one flange: 4 boxes
FBZ48	48	1-1/2" x 8"	11	No. of Bolts per Box: 11, No. of Boxes for one flange: 4 boxes



**WARNING:** This product can expose you to chemicals including lead, which is known to the State of California to cause cancer and birth defects or other reproductive harm. For more information go to [www.P65Warnings.ca.gov](http://www.P65Warnings.ca.gov).



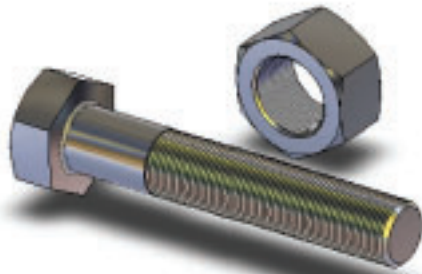
**Napac, Inc.**  
120 Front Street, Suite 820, Worcester, MA 01608  
TEL. 800-807-2215  
Website: [www.napacinc.com](http://www.napacinc.com)

# Stainless Steel Hex Bolts and Nuts

## SS 304 and SS 316

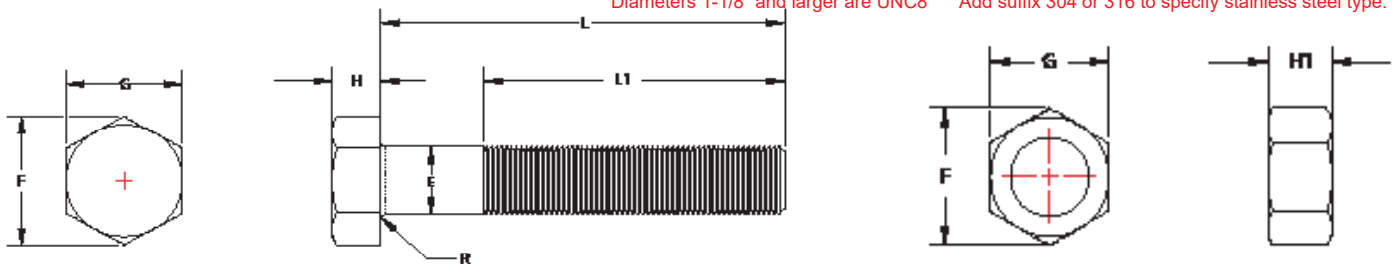
For Flanges to B16.125#, B16.5-150#

# UNITED



Nominal Size	Part No.	E	G	F	H	HI	R	L <sub>1</sub>	L
		Body Diameter	Width Across Flats	Max. Width Across Corners	Bolt Head Height	Nut Height	Radius of Fillet	Thread Length	Shaft Length
1/2 x 2	BN6025-050-200*	0.515	3/4	0.866	11/32	7/16	0.01~0.03	1.25	2.00
5/8 x 2-1/2	BN6025-062-250*	0.642	15/16	1.083	27/64	35/64	0.02~0.06	1.50	2.50
5/8 x 3	BN6025-062-300*	0.642	15/16	1.083	27/64	35/64	0.02~0.06	1.50	3.00
3/4 x 3-1/2	BN6025-075-350*	0.768	1-1/8	1.299	1/2	41/64	0.02~0.06	1.75	3.50
3/4 x 4-1/2	BN6025-075-450*	0.768	1-1/8	1.299	1/2	41/64	0.02~0.06	1.75	4.50
7/8 x 4	BN6025-082-400*	0.895	1-5/16	1.516	37/64	3/4	0.02~0.06	2.00	4.00
7/8 x 4-1/2	BN6025-082-450*	0.895	1-5/16	1.516	37/64	3/4	0.02~0.06	2.00	4.50
1 x 4-1/2	BN6025-100-450*	1.022	1-1/2	1.732	43/64	55/64	0.03~0.09	2.25	4.50
1-1/8 x 5	BN6025-112-500*	1.149	1-11/16	1.949	3/4	31/32	0.03~0.09	2.50	5.00
1-1/8 x 5-1/2	BN6025-112-550*	1.149	1-11/16	1.949	3/4	1-1/16	0.03~0.09	2.50	5.50
1-1/4 x 6-1/2	BN6025-125-650*	1.277	1-7/8	2.165	27/32	1-9/32	0.03~0.09	2.75	6.50
1-1/2 x 7	BN6025-150-700*	1.531	2-1/4	2.598	1	1-9/32	0.03~0.09	3.25	7.00
1-1/2 x 7-1/2	BN6025-150-750*	1.531	2-1/4	2.598	1	1-9/32	0.03~0.09	3.25	7.50
1-1/2 x 8	BN6025-150-800*	1.531	2-1/4	2.598	1	1-9/32	0.03~0.09	3.25	8.00

\* Diameters 1-1/8" and larger are UNC8 \*Add suffix 304 or 316 to specify stainless steel type.



### Packaged Bolt & Nut Packs (water resistant)

- Hex head stainless steel bolts to ANSI B18.2.1 with hex stainless steel nuts to ANSI B18.2.2. Bolts to be threaded to ANSI B1.1 unified inch screw threads, Class 2A external & Class 2B internal. The stainless steel material is available in either Type 304 or Type 316.

#### Stainless Steel 304

Part No.	Class 125/150 Flange Size	Bolt Diameter and Length	No. of Bolts per Flange	No. of Bolts per Poly Bag	Master Box (Qty. of Sets)
FBS03-304	2-1/2	5/8" x 2-1/2"	4	4	20
FBS04-304	3	5/8" x 3"	8	8	16
FBS08-304	5	3/4" x 3-1/2"	8	8	8
FBS12-304	6	7/8" x 4"	12	12	4
FBS14-304	8	1" x 4-1/2"	12	12	1
FBS16-304	10	1" x 4-1/2"	16	16	1
FBS18-304	12	1-1/8" x 5"	16	16	1
FBS20-304	14	1-1/8" x 5"	20	20	1
FBS24-304	16	1-1/4" x 5-1/2"	20	20	1
FBS30-304	18	1-1/4" x 6-1/2"	28	14	2 boxes
FBS36-304	20	1-1/2" x 7"	32	8	4 boxes
FBS42-304	24	1-1/2" x 7-1/2"	36	9	4 boxes
FBS48-304	28	101.2: x 8"	44	11	4 boxes

#### Stainless Steel 316

Part No.	Class 125/150 Flange Size	Bolt Diameter and Length	No. of Bolts per Flange	No. of Bolts per Poly Bag	Master Box (Qty. of Sets)
FBS03-316	2-1/2	5/8" x 2-1/2"	4	4	20
FBS04-316	3	5/8" x 3"	8	8	16
FBS08-316	5	3/4" x 3-1/2"	8	8	8
FBS12-316	6	7/8" x 4"	12	12	4
FBS14-316	8	1" x 4-1/2"	12	12	1
FBS16-316	10	1" x 4-1/2"	16	16	1
FBS18-316	12	1-1/8" x 5"	16	16	1
FBS20-316	14	1-1/8" x 5"	20	20	1
FBS24-316	16	1-1/4" x 5-1/2"	20	20	1
FBS30-316	18	1-1/4" x 6-1/2"	28	14	2 boxes
FBS36-316	20	1-1/2" x 7"	32	8	4 boxes
FBS42-316	24	1-1/2" x 7-1/2"	36	9	4 boxes
FBS48-216	28	1-1/2" x 8"	44	11	4 boxes



**WARNING:** This product can expose you to chemicals including lead, which is known to the State of California to cause cancer and birth defects or other reproductive harm. For more information go to [www.P65Warnings.ca.gov](http://www.P65Warnings.ca.gov).



**United Water Products**  
 5355 Ramona Blvd., Jacksonville, FL 32205  
 TEL. 877-766-4459 FAX: 877-766-4458  
 Website: [www.unitedwaterproducts.com](http://www.unitedwaterproducts.com)